



RAPID
Lighting Control System

DALI switch input unit

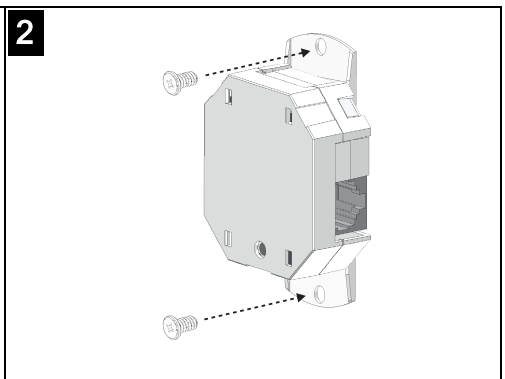
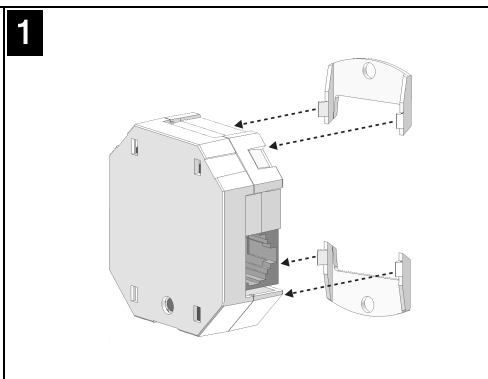
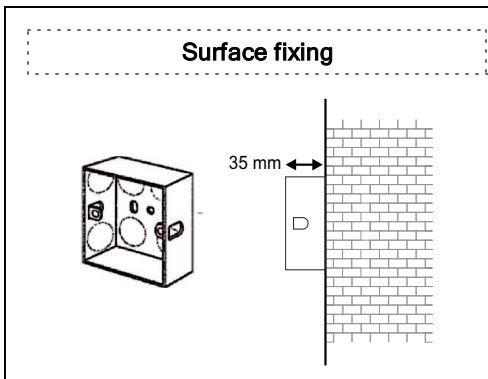
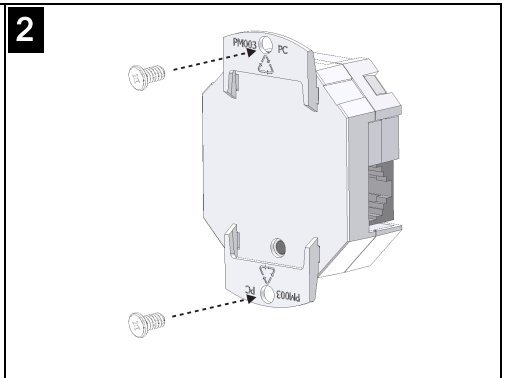
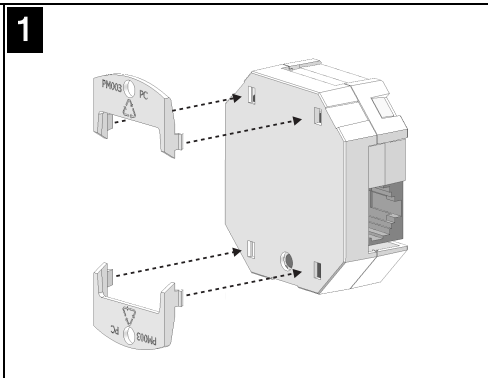
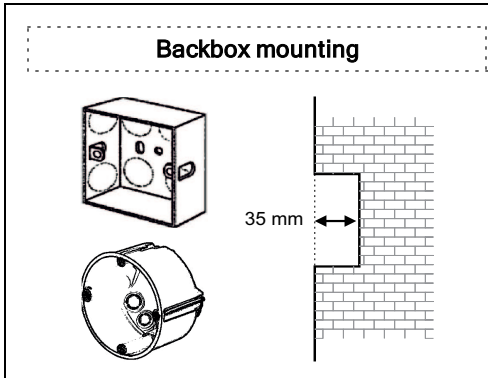
The EBR-BB-IN-DALI input unit provides an interface between a RAPID DALI lighting control system and external devices such as switches, security systems and AV equipment. The unit features 7 Volt-free switch inputs that can be activated by the contact closure of push-buttons, switches or relays. Activating an input causes the unit to turn lights on, off, raise or lower light levels messages to the DALI system.



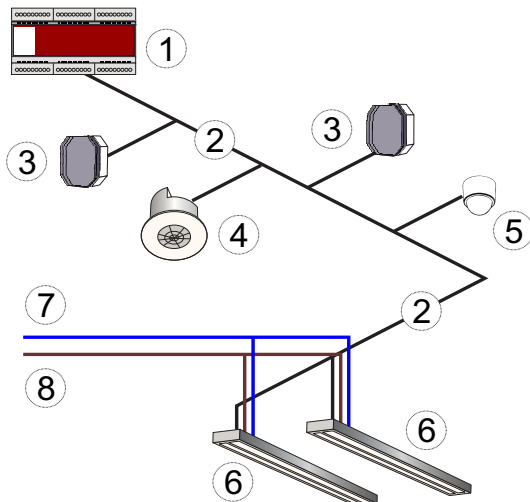
This device should be installed by a qualified electrician in accordance with the latest edition of the IEE wiring regulations.

DALI is not SELV or ELV and should be treated as mains wiring.

Ref WD853 issue 3



USING WITH A DALI GATEWAY



This input unit is compatible only with the equipment listed and is not a general purpose DALI unit. It cannot be used with other systems, or any other CP Electronics product with DALI outputs.

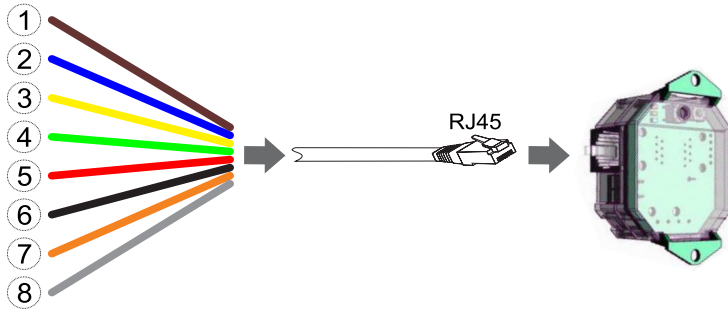
1. DALI Gateway DG64
2. DALI bus
3. EBR-BB-IN-DALI
4. EBR-CPIR-DALI
5. EBR-MINPIR-DALI
6. Luminaire
7. Neutral - blue
8. Live - brown

Maximum number of control devices for a DALI Gateway = 5 input units of 7 channels each + 10 detectors.

Maximum number of ballasts is dependent on the number of control devices (this assumes LEDs are off and not using IR readback at the same time):

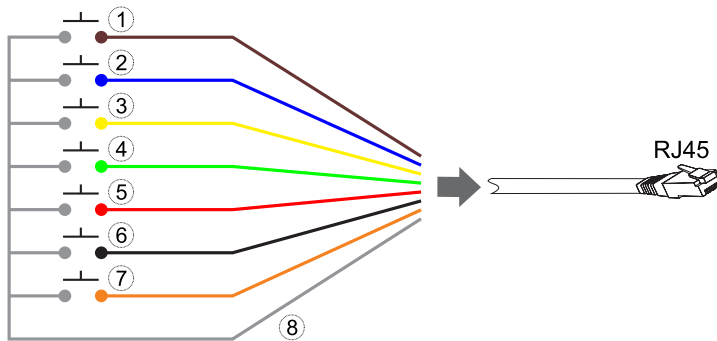
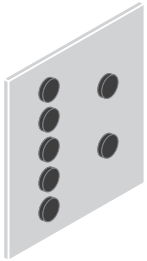
- 10 devices + 64 ballasts
- 11 devices + 60 ballasts
- 12 devices + 55 ballasts
- 13 devices + 50 ballasts
- 14 devices + 48 ballasts
- 15 devices + 44 ballasts

WIRING



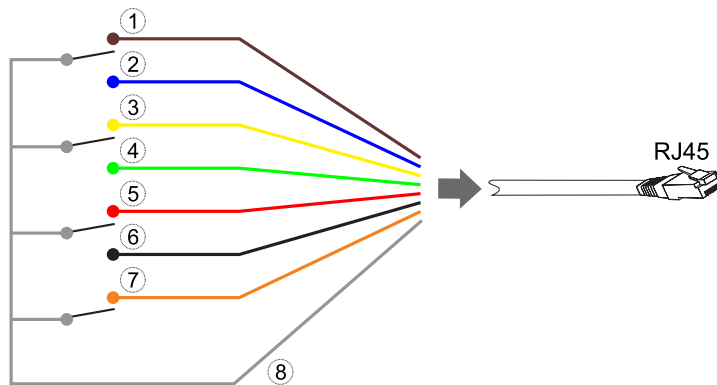
1. Input 1 - brown
2. Input 2 - blue
3. Input 3 - yellow
4. Input 4 - green
5. Input 5 - red
6. Input 6 - black
7. Input 7 - orange
8. Input 8 - grey

Push-buttons



1. Switch input 1 - brown
2. Switch input 2 - blue
3. Switch input 3 - yellow
4. Switch input 4 - green
5. Switch input 5 - red
6. Switch input 6 - black
7. Switch input 7 - orange
8. Common - grey

Centre-retractive switches

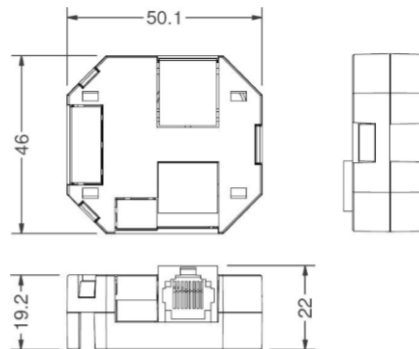


1. Switch input 1 up- brown
2. Switch input 1 down- blue
3. Switch input 2 up - yellow
4. Switch input 2 down - green
5. Switch input 3 up - red
6. Switch input 3 down - black
7. Switch input 4 - orange
8. Common - grey

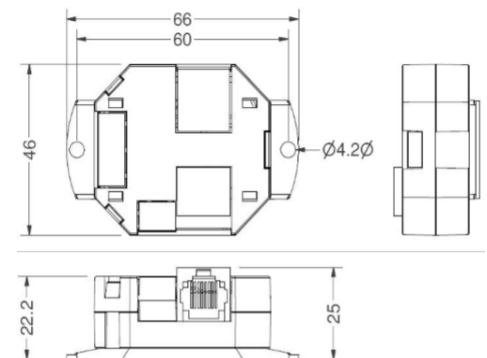
TECHNICAL DATA

Weight kg	0.03
Supply voltage DC	9V - 22.5V over DALI
Current consumption	8 mA
Terminal capacity	2.5mm ²
Humidity	5 to 95% non-condensing
Operational temp. °C	-10 to 35
IP rating	40
Material (casing)	Flame retardant PC
Compliance	EMC-2014/30/EU; LVD-2014/35/EU

Without brackets:



With brackets:



ISO 9001
Quality Management

FM 45789

ISO 14001
Environmental Management

EMS 534520

OHSAS 18001
Occupational Health & Safety Management

OHS 642036



CP Electronics - a business unit of
Legrand Electric Limited
Brent Crescent, London NW10 7XR UK
Tel: +44 (0)333 900 0671
Fax: +44 (0)333 900 0674

A brand of **legrand**

www.cpelectronics.co.uk
enquiry@cpelectronics.co.uk

Due to our policy of continual product improvement, CP Electronics reserves the right to alter the specification of this product without prior notice.

Ref WD853 issue 3